

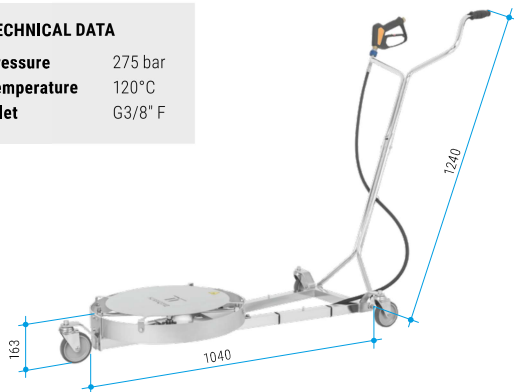
- ✓ Ergonomical and versatile
- ✓ Easy to maneuver
- ✓ Ready to use
- ✓ Complete stainless steel

The Hurricane makes it easier to clean underneath vehicles. Can be used on cars, trucks, agricultural machinery, at construction sites and other types of vehicles without using a car lift. There are various heights and models with diameters of 520 mm or 750 mm, and they come with HP nozzles or with stabilizer nozzles. The Hurricane Series is time saving and cost efficient and can be used with cold or hot pressure pumps.

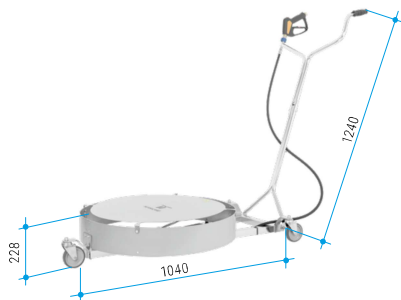


TECHNICAL DATA

Pressure 275 bar
Temperature 120°C
Inlet G3/8" F



HUR-520 80.601



HUR-750 80.604

FEATURES

Stabilizer Nozzles

With the stabilizer nozzle, you can increase the distance and pressure impact to your surface. Standard on 80.603 and 80.604.



HP-Nozzles

Standard HP, 15° nozzles are used to achieve the cleaning on the object. These nozzles are used on the models 80.601 and 80.602.



Rotor Arms

Can withstand up to 275 bar, are precision welded and balanced.



Part No. 82.891 ø470

Part No. 82.9014 ø700

Quality Swivel

High rpm stainless steel swivel features reinforced self lubricated stainless steel ball bearings for improved performance. The dual spring based carbide seal system, guarantees long lasting operation under tough conditions.



Part No. 58.553

Hurricane

Name	Part No.	ø	min. Clearance	Weight	HP-Nozzles	HP-Gun	Caster/Wheels
HUR-520	80.601	520	165 mm	15.0 kg	2x 18.1503	1x	3x ø100
HUR-750	80.602	750	165 mm	19.0 kg	3x 18.1503	1x	3x ø100
HUR-520	80.603	520	230 mm	17.5 kg	2x 18.030EG	1x	3x ø100
HUR-750	80.604	750	230 mm	20.6 kg	3x 18.030EG	1x	3x ø100

Other nozzles sizes please order separately.



Accessories

Name	Part No.	Nozzles	HP-Gun	Upper Fork	LP-Hose	Weight
Low pressure package	80.9011	--- *	1x	1x	1x	3.8 kg

* Nozzles not included, please order separately.

Important: Do not use unprotected!

- ✓ 6 different cleaning angles
- ✓ Ergonomical and versatile
- ✓ Easy to maneuver
- ✓ Ready to use
- ✓ Complete stainless steel

With the Hurricane Pro model, you are not only able to clean underneath vehicles, you also have the ability to pivot the spray deck which allows for multiple cleaning angles. The adjustable angles allow "all-around" cleaning of construction equipment, fleet vehicles, boats or agricultural machines using just one model undercarriage cleaner. The Hurricane Series is time-saving and cost efficient. Use this new cleaning tool from Mosmatic with either hot or cold pressure washer.



TECHNICAL DATA

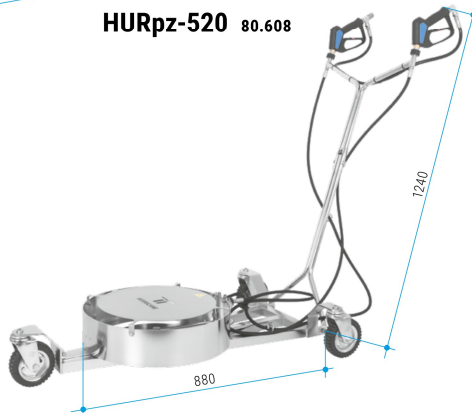
Pressure 275 bar
Temperature 120°C
Inlet G3/8" F



HURp-520 80.607



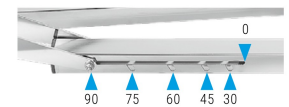
HURpz-520 80.608



FEATURES

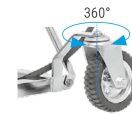
Cleaning angles

The Hurricane Pro cleaner offers the ability to pivot the spray deck which allows for multiple cleaning angles. Deck adjustment from 0° to maximum 90°.



Large casters

Three large casters make your cleaning job easier with full range of motion, allowing you to maneuver even on rough surfaces.



Stabilizer Nozzles

With the stabilizer nozzle, you can increase the distance and pressure impact to your surface. Standard on 80.607 and 80.608.



Rotor Arms

Can withstand up to 275 bar, are precision welded and balanced.



Part No. 82.891 ø470

Part No. 82.9014 ø700

Quality Swivel

High rpm stainless steel swivel features reinforced self lubricated stainless steel ball bearings for improved performance. The dual spring based carbide seal system, guarantees long lasting operation under tough conditions.



Part No. 58.553

Low pressure option

This provides the ability to apply chemicals at low pressure, for example, salt neutralization, oil removal or other chemical applications.



Hurricane Pro

Name	Part No.	ø	min. Clearance	Weight	HP-Nozzles	LP-Nozzles	HP-Gun	Casters
HURp-520	80.607	520	225 mm	31.0 kg	2x 18.030EG	--	1x	3x ø150
HURpz-520	80.608	520	225 mm	34.0 kg	2x 18.030EG	4x 18.1508	2x	3x ø150

Other nozzles sizes please order separately.

Accessories

Name	Part No.	Nozzles	HP-Gun	Upper Fork	LP-Hose	Weight
Low pressure package	80.9011	--- *	1x	1x	1x	3.8 kg

* Nozzles not included, please order separately.

Important: Do not use unprotected!